
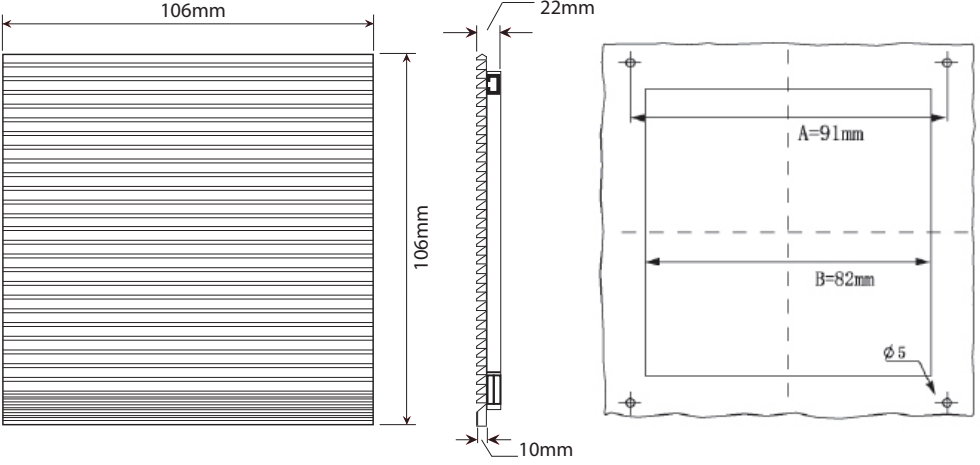


# Louvered Fan Guards

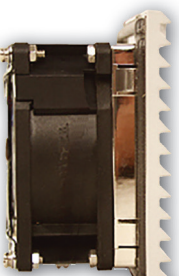
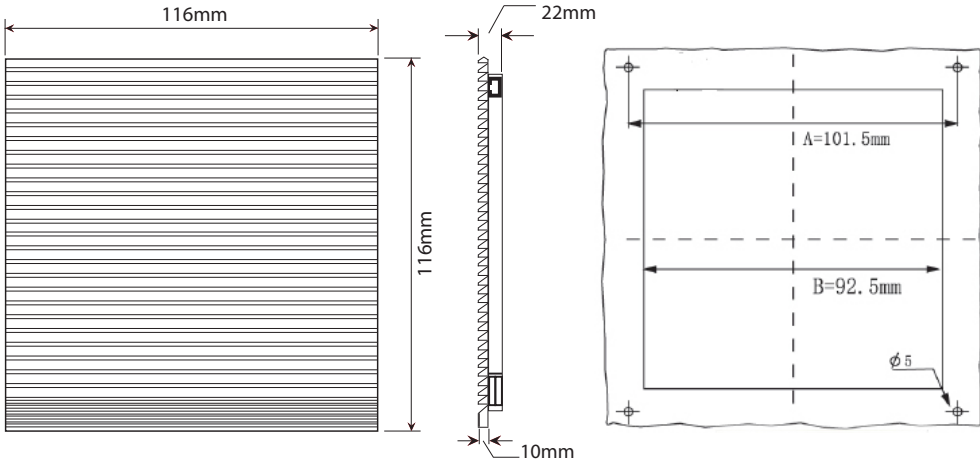


## Filter Kits for 80mm (3.15") & 92mm (3.62") Fans

**LFG80 Filter Kit for 80mm fan**

**LFG92 Filter Kit for 92mm fan**

Part Number	LFG80	LFG92
<b>Frame Description</b>	ABS Resin - flame resistant UL94V-0, with UV protection. Vents with screens at 45-degree angle. High foam sealing edge - protection grade IP44-IP54 on LFG92 only	
<b>Filter Mesh Material</b>	Nylon Fiber - Synthetic Resin, filters to 8 microns.	
<b>Color</b>	Gray is standard. Black is available on request. To specify black add "B" to the part number. Minimums may apply.	

### Installation Method

