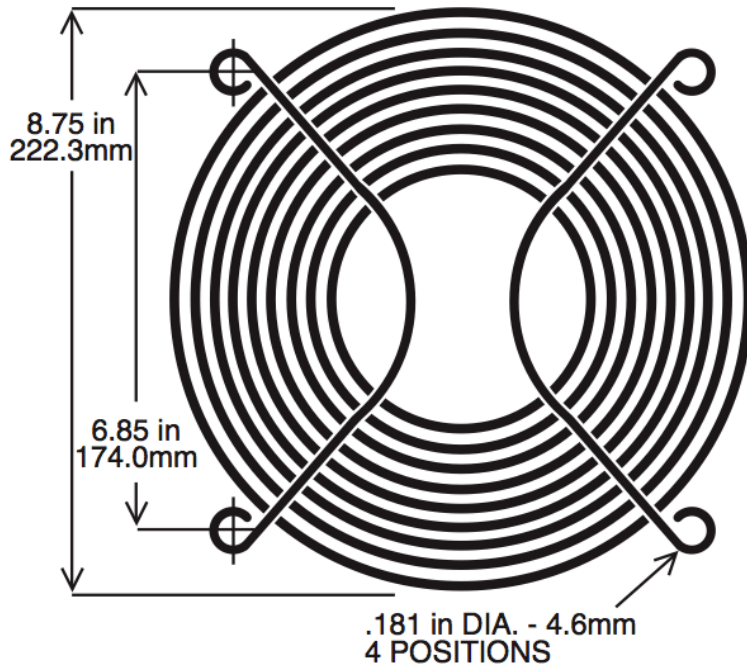


# G254 Series



## Fan Guards for 254mm Fan

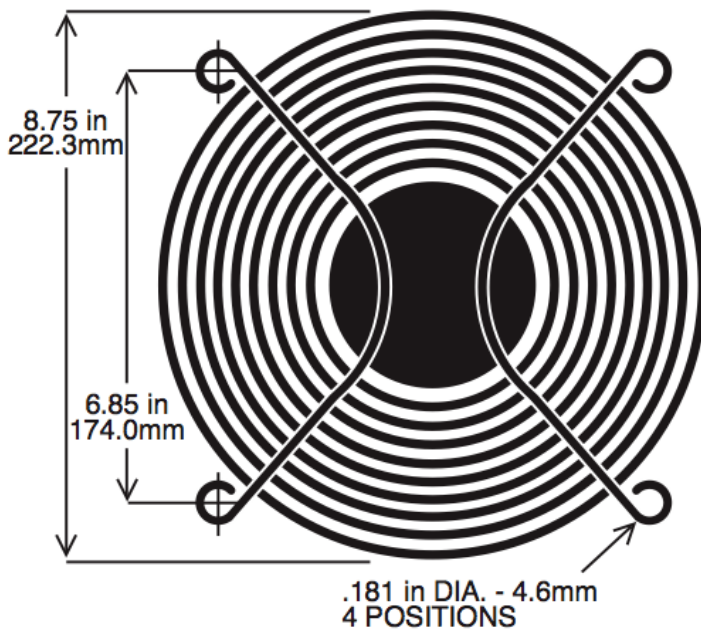


### **PART NO. G254-10**

1. MATERIAL: C1008 BRIGHT BASIC WIRE
2. FINISH: BRIGHT NICKEL CHROME
3. RING DIA: 2.3mm
4. RIB DIA: 2.3mm
5. WELD JOINTS TO WITHSTAND 88LBS PULL FORCE
6. SPACING BETWEEN RINGS TO BE 5.16mm
7. GENERAL TOLERANCE UNLESS NOTED +/-0.5mm
8. PART MEETS 6.35mm PLUG GAUGE TEST

### **PART NO. G254-10/PK**

10-PACK G254-10 GUARDS, BOXED



### **PART NO. G254-10P**

1. MATERIAL: C1008 BRIGHT BASIC WIRE
2. FINISH: BRIGHT NICKEL CHROME
3. RING DIA: 2.3mm
4. RIB DIA: 2.3mm
5. WELD JOINTS TO WITHSTAND 88LBS PULL FORCE
6. GENERAL TOLERANCE UNLESS NOTED +/-0.5mm
7. PART MEETS 6.35mm PLUG GAUGE TEST

### **PART NO. G254-10P/PK**

10-PACK G254-10P GUARDS, BOXED