

THIS DRAWING IS UNPUBLISHED.
 RELEASED FOR PUBLICATION
 BY TYCO ELECTRONICS CORPORATION. ALL RIGHTS RESERVED.

LOC AF DIST 50

REVISIONS

P	LTR	DESCRIPTION	DATE	DWN	APVD
E2		REVISED PER ECR-12-022060	26DEC12	CX	LL

1 CONTINUOUS STRIP ON REELS WITH TERMINALS LOCATED ON 6.10±0.08 [.240±.003] CENTERS. IDENTIFICATION NUMBER 18 FOR MAGNET WIRE RANGE.

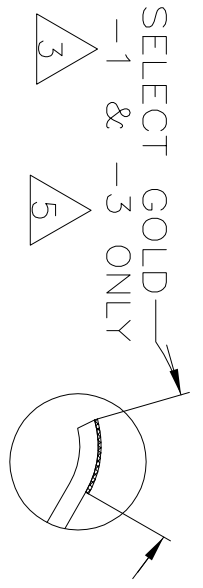
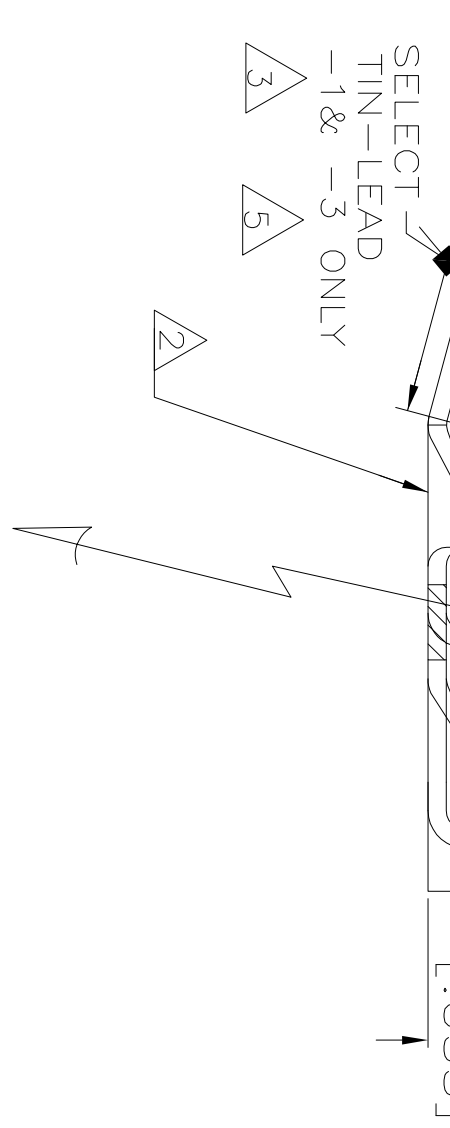
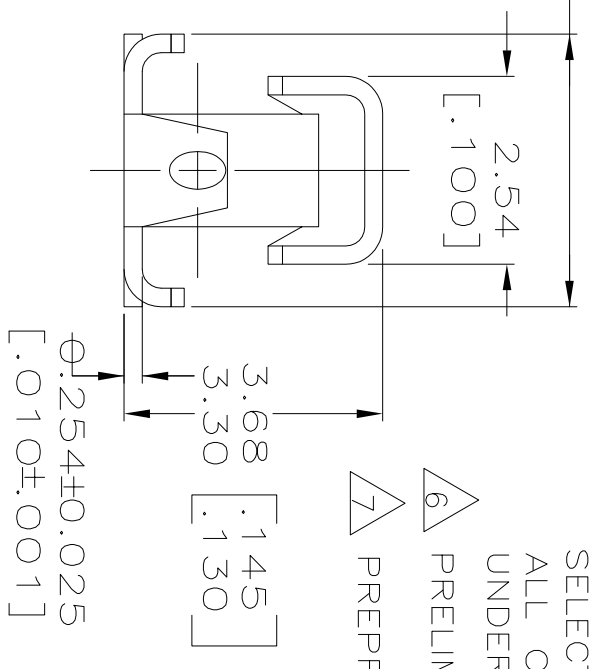
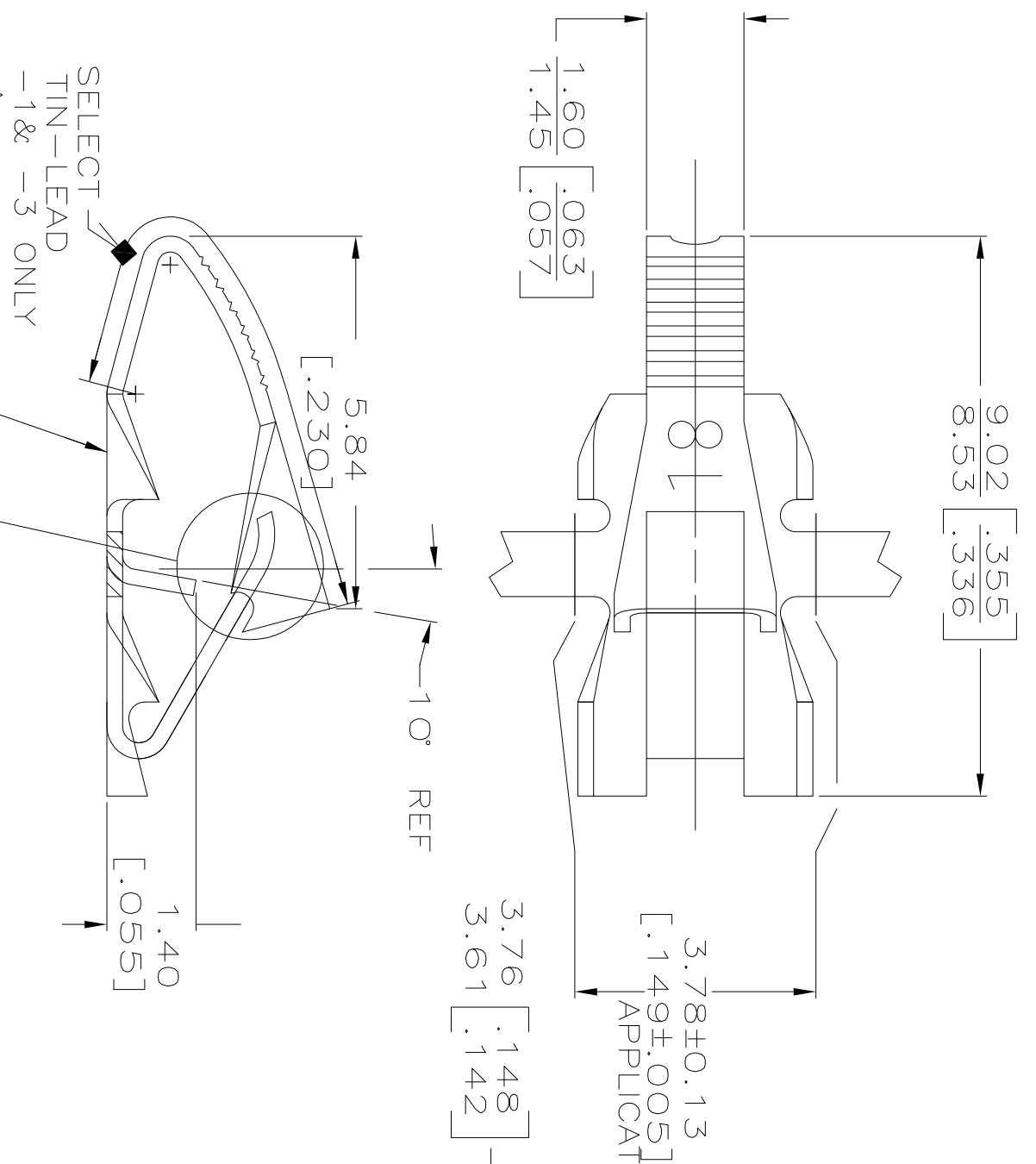
3 0.000762[.000030] MIN SELECT GOLD ON ONE SIDE AS SHOWN, 0.00127[.000050] MIN SELECT TIN-LEAD ON BOTH SIDES AS SHOWN ALL OVER 0.00127[.000050] MIN NICKEL UNDERPLATE

4 0.002032 [.000080] MIN TIN OVER 0.00127 [.000050] MIN NICKEL WITH ANTI-FRETTING LUBE ON POKE-IN LEAF AREA.

5 0.000762[.000030] MIN SELECT GOLD ON ONE SIDE AS SHOWN, 0.00127[.000050] MIN SELECT TIN ON BOTH SIDES AS SHOWN ALL OVER 0.00127[.000050] MIN NICKEL UNDERPLATE

6 PRELIMINARY - NOT FOR PRODUCTION.

7 PREPRODUCTION - FASR REQUIRED



OBSOLETE				
OBSOLETE				
OBSOLETE	0.10-0.25mm	[#38-#30] AWG		
	COPPER MAGNET WIRE RANGE			
			4	61-63844-2
			5	63844-3
			7	63844-2
			6	63844-2
				63844-1
				PART NO.

THIS DRAWING IS A CONTROLLED DOCUMENT.

DIMENSIONS: MM [INCHES]
 TOLERANCES UNLESS OTHERWISE SPECIFIED:

0 PLC	± -
1 PLC	± -
2 PLC	± 0.25 [.010]
3 PLC	± -
4 PLC	± -
ANGLES	± -

MATERIAL HO2 BRASS
 FINISH SEE TABLE

DWN	3/MAY/95	R.GRZYBOWSKI	
CHK	3/MAY/95	MICHAEL S. FEHER	
APVD	3/MAY/95	TL SHUTTER	
PRODUCT SPEC	108-2016		
APPLICATION SPEC	114-2047		
WEIGHT	-		

NAME	tyco Electronics	Terminal, Poke-In, Mini Mag-Mate
APPLICATOR	Tyco Electronics Corporation	Harrisburg, Pa 17105-3608
SIZE	A3	00779
CAGE CODE		63844
DRAWING NO		63844
SCALE	10:1	
SHEET	1	OF 1
REV		E3