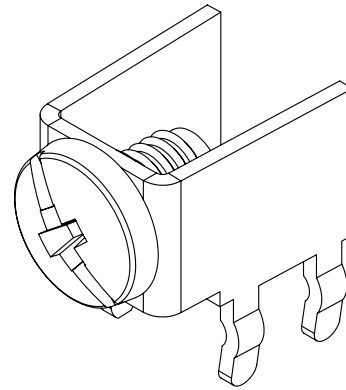
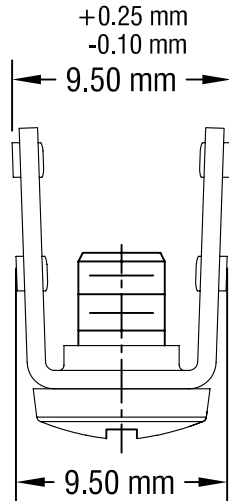
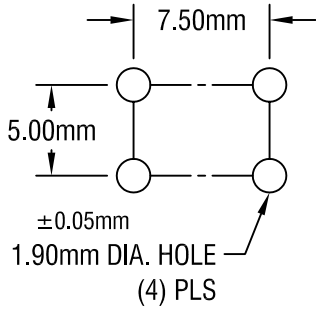
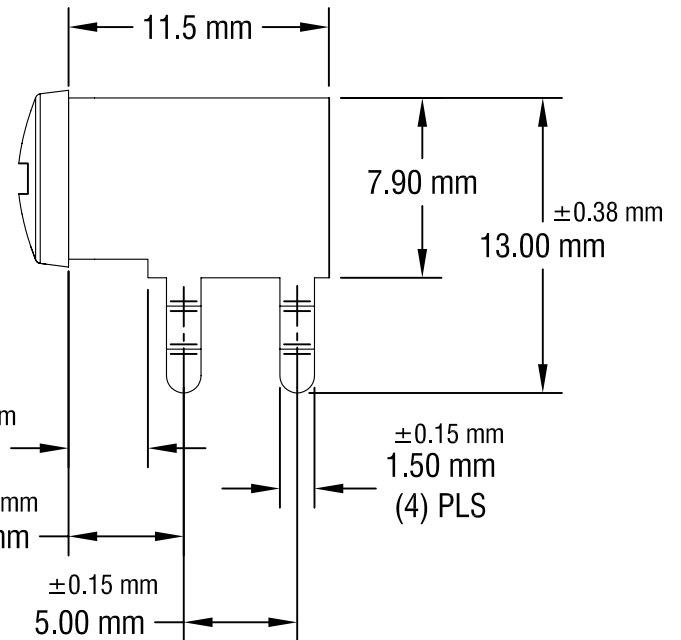
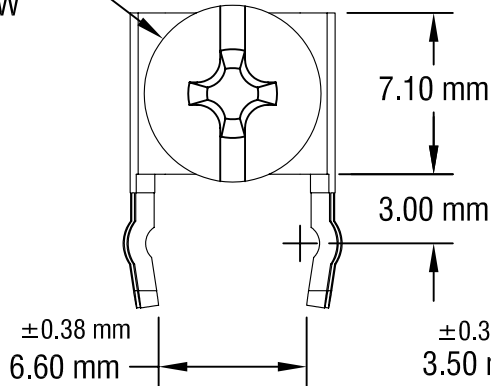


THIS DOCUMENT IS THE PROPERTY OF KEYSTONE ELECTRONICS CORP. AND SHALL NOT BE REPRODUCED, DISTRIBUTED OR USED AS A BASIS FOR MANUFACTURE WITHOUT PRIOR WRITTEN PERMISSION FROM KEYSTONE ELECTRONICS CORP.

**MOUNTING DETAIL**



M4 x 0.7 x 6.35 L  
CAPTIVE SCREW



**NOTE:**

**1. TERMINAL:**

MAT'L - 0.81mm TH'K BRASS, TIN PLATE

SCREW : ONE (1) M4 x 0.7 x 6.35mm L.

MAT'L - BRASS, NICKEL PLATE

**2. ALL DIMENSIONS ARE IN MILLIMETERS.**

**KEYSTONE ELECTRONICS CORP.**

www.keyelco.com • ASTORIA, N.Y. 11105-2017 • Tel (718) 956-8900

PART NAME			
PC METRIC SCREW TERMINAL WITH SCREW			
MATERIAL			
AS NOTED			
FINISH		DRN BY	DATE
AS NOTED		NT	7.03.08
		APP'D	SCALE
		LN	3X
TOLERANCES	INCH	[MM]	CODE
DECIMAL	±	[±.025]	C
ANGULAR	± 1°		
UNLESS OTHERWISE SPECIFIED			
DWG NO.		7794	

11.18.08 CHANGE AS PER ECN 08-181

A

DATE DESCRIPTION

REV.