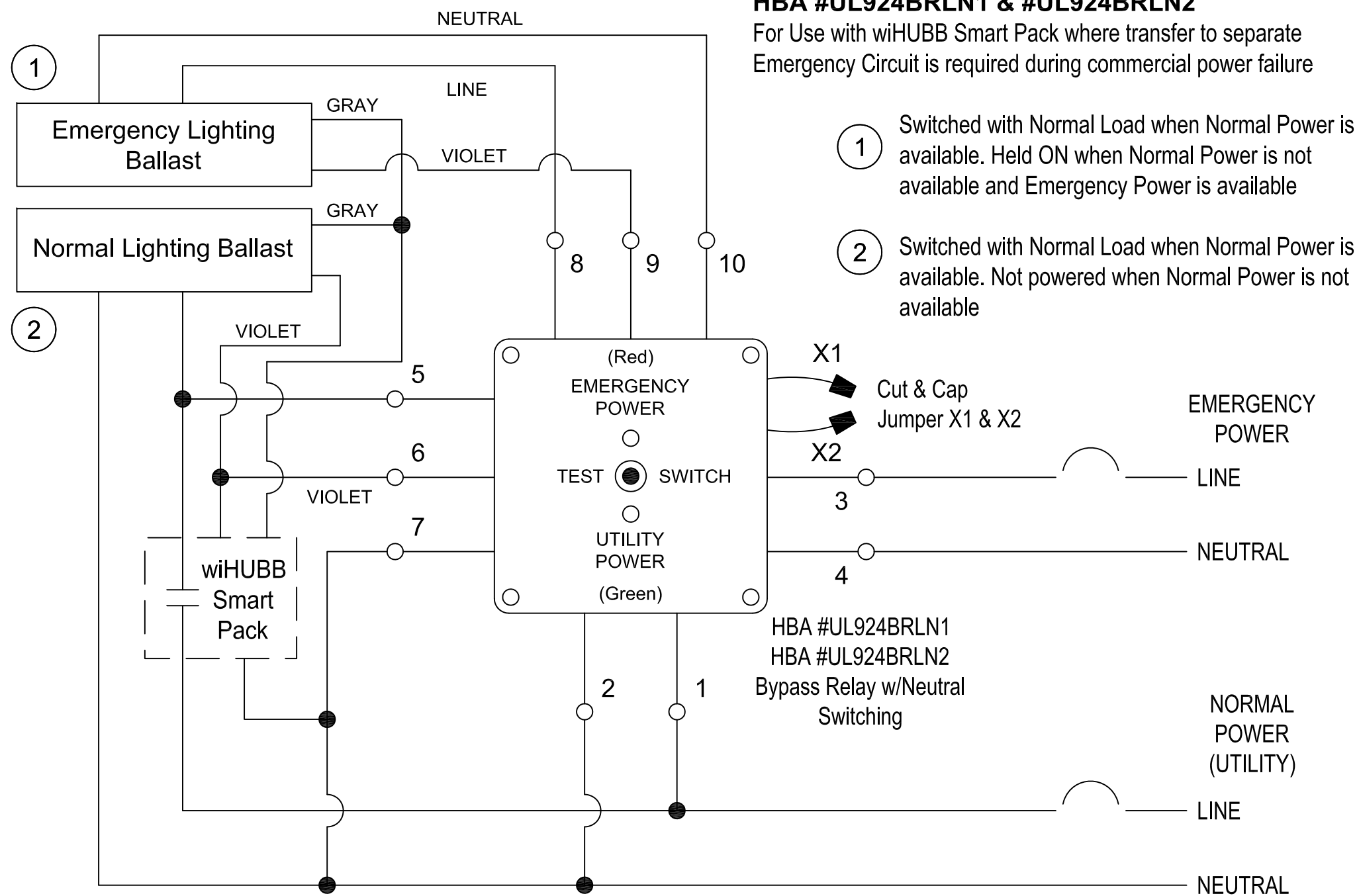




HBA #UL924BRLN1 & #UL924BRLN2

For Use with wiHUBB Smart Pack where transfer to separate Emergency Circuit is required during commercial power failure



① Switched with Normal Load when Normal Power is available. Held ON when Normal Power is not available and Emergency Power is available

② Switched with Normal Load when Normal Power is available. Not powered when Normal Power is not available

REV	REVISION DESCRIPTION	DATE	<h2 style="text-align: center;">wiHUBB Smart Packs with 0-10V Dimming AND UL924BRLN1 & UL924BRLN2</h2>		ADDRESS STREET CITY, STATE	#UL924BRLN1 & #UL924BRLN2

THIS DOCUMENT AND SPECIFICATIONS DESCRIBED WITHIN ARE THE EXCLUSIVE PROPERTY OF HUBBELL BUILDING AUTOMATION ISSUED IN THE STRICTEST CONFIDENCE, AND SHALL NOT BE REPRODUCED, COPIED OR USED WITHOUT PRIOR WRITTEN PERMISSION.