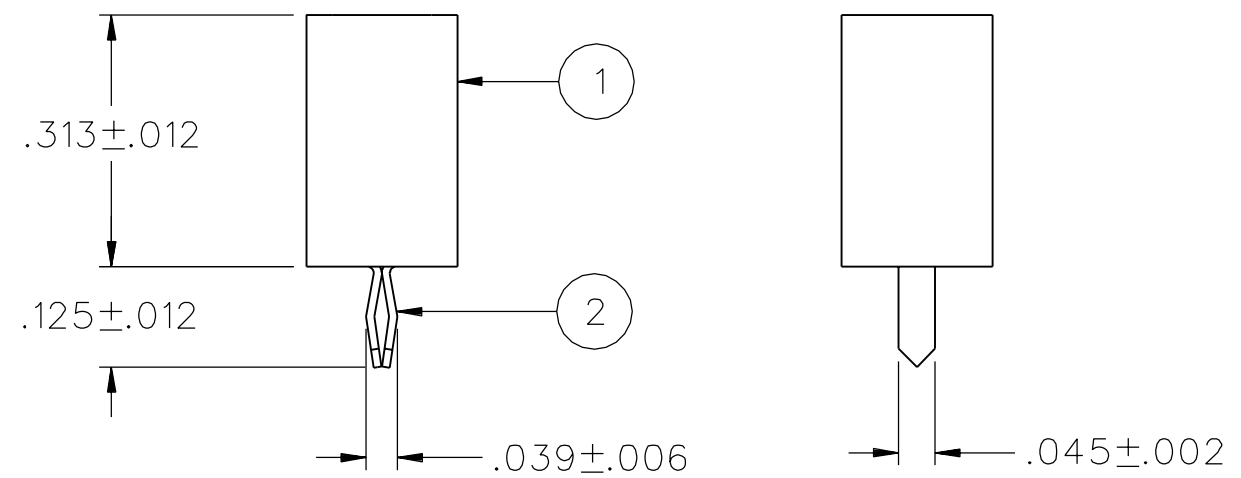
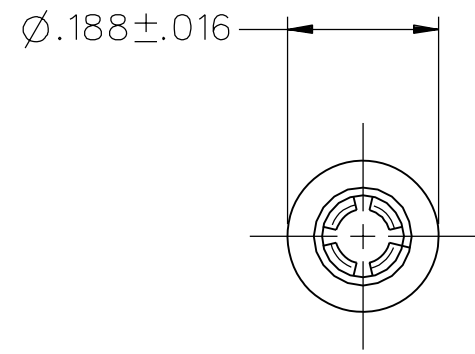


| PART NUMBER | ITEM ① SLEEVE | COLOR | ITEM ② CONTACT |
|--------------|------------------|--------|---|
| 105-2201-201 | NYLON | WHITE | BERYLLIUM COPPER SILVER PL .0001 MIN |
| 105-2202-201 | | RED | |
| 105-2203-201 | | BLACK | |
| 105-2204-201 | | GREEN | |
| 105-2205-201 | | | |
| 105-2206-201 | | ORANGE | |
| 105-2207-201 | | YELLOW | |
| 105-2208-201 | | BROWN | |
| 105-2209-201 | | | |
| 105-2210-201 | | BLUE | |
| 105-2211-201 | | | |
| 105-2212-201 | | VIOLET | |
| 105-2213-201 | | GRAY | |
| 105-2214-201 | | | |
| 105-2215-201 | | | |
| 105-2216-201 | | | |
| 105-2217-201 | | | |
| 105-2218-201 | | | |
| 105-2219-201 | | | |
| 105-2220-201 | | | |




NOTES:
SPECIFICATIONS:
ELECTRICAL:
CURRENT RATING: 5 AMPS DC MINIMUM
DIELECTRIC WITHSTANDING VOLTAGE: 5000 VDC MIN AT SEA LEVEL
INSULATION RESISTANCE: 5000 MEGOHMS MIN
CONTACT RESISTANCE: 10 MILLIOHMS MAXIMUM
CAPACITANCE: 1 PF NOMINAL
MECHANICAL:
INSERTION/WITHDRAWAL FORCE: .5 - 5.0 POUNDS
CONTACT RETENTION IN INSULATOR FORCE: 7 LBS MIN
CONTACT RETENTION IN INSULATOR TORQUE: NOT APPLICABLE
INSULATOR RETENTION IN .062 PANEL FORCE: NOT APPLICABLE
MOUNTING THREAD STRIPPING TORQUE: NOT APPLICABLE
RESISTANCE TO TEST PROBE DAMAGE TORQUE: 2 IN LB MIN
MATING TIP PLUG DIAMETER: .080
DURABILITY: 1000 CYCLES MINIMUM
ENVIRONMENTAL:
(MEETS OR EXCEEDS THE APPLICABLE PARAGRAPH OF MIL-C-39024)
OPERATING TEMPERATURE: -55 DEG C TO 85 DEG C
TEMPERATURE RISE AT RATED CURRENT: 10 DEG C MAXIMUM
CORROSION: MIL-STD-1344, METHOD 1001, CONDITION B
SHOCK: MIL-STD-1344, METHOD 2004, CONDITION G
VIBRATION: MIL-STD-1344, METHOD 2005, CONDITION I
HUMIDITY: MIL-STD-1344, METHOD 1002, CONDITION B

DRAWING NO.
B - 105-2201/2220-201
0 REVISIONS
ENGINEERING RELEASE

* REVISION NUMBER FOLLOWED BY AN ALPHA *
* CHARACTER INDICATES DRAWING CLARIFI- *
* CATION OR PART NUMBER ADDITION ONLY. *

16a 10-6-93 R H R J B ECO 42095

CUSTOMER DRAWING
THIS DRAWING TO BE INTERPRETED
PER ASME Y 14.5M - 1994
"μSTATION"
COMPANY CONFIDENTIAL

| | | | | | | |
|--------------------------------------|-------|--------------|-----------|---|---|---|
| TOLERANCE UNLESS OTHERWISE SPECIFIED | | DRAWN BY | DATE |  Cinch CONNECTIVITY SOLUTIONS a bel group | Cinch Connectivity Solutions P.O. Box 1732 Waseca, MN 56093 1-800-247-8256 | |
| DECIMALS | mm | RJB | 9-21-93 | | TITLE | TIP JACK, VERTICAL PC MOUNT FOR .080 DIA PLUG |
| .XX | _____ | CHECKED BY | DATE | SHEET | DRAWING NO. | |
| .XXX | _____ | APPROVED BY | DATE | 2 OF 2 | B - 105-2201/2220-201 | |
| MATL | _____ | RJB | 10-6-93 | | | |
| FINISH | _____ | RELEASE DATE | (7-11-91) | | | |
| | | U/M | INCH | SCALE | 4:1 | |